

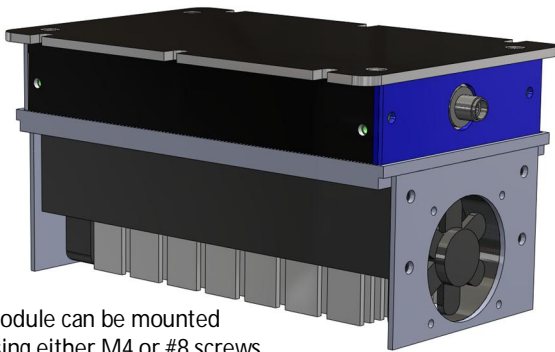
## Single Channel Laser Module with Fiber Output

1200 nm / 1208 nm / 1210 nm / 1240 nm / 1250 nm / 1260 nm

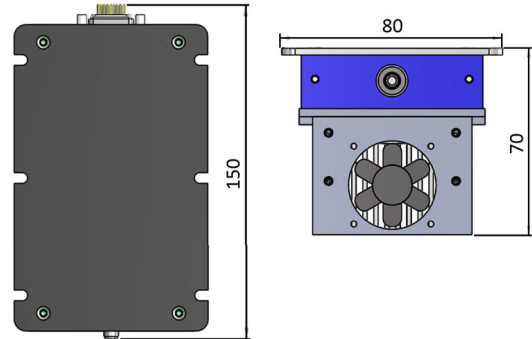
AKELA Part Number: ALC-12xx-01500-FM100.22-LDTC (rev. 10/12)

This single channel laser module is suitable for a broad range of applications including materials processing, biomedical research, medicine, environmental research, illumination, etc. The module output can be configured using a USB port or by external voltages (0-5V). Capable of operating in continuous wave and pulsed regimes, this module is ideally suited for both OEM use and in various lab settings. Features include automated thermal management and several emergency shut-down options. Wavelengths ranging from 0.63 - 2  $\mu\text{m}$  are available. For information on other wavelengths, please refer to the corresponding data sheets. In addition to the single-channel module, modules with multiple channels are available.

### The module

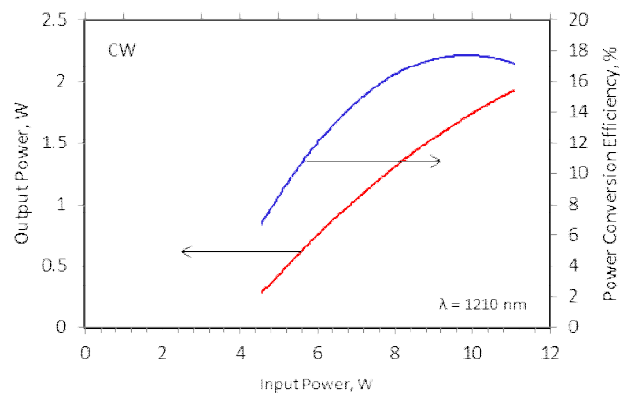


Module can be mounted using either M4 or #8 screws.



### Typical performance characteristics per channel

Parameter	Value	Unit
Operating output power	1.5	W
Threshold input power	<5	W
Operating voltage	12	V
Wall plug efficiency at operating power	>17	%
Wavelength tolerance	$\pm 5, \pm 10, \pm 20$	nm
Spectrum width (FWHM)	<14	nm
Fiber core diameter/ NA	100 / 0.22	$\mu\text{m}$ / ##
	200 / 0.22	$\mu\text{m}$ / ##
Fiber connector	SMA	
Mounting footprint	$150 \times 80$	$\text{mm}^2$



Note: The consumed power includes the power of the cooling system. The measurement was performed at typical ambient temperature (20°C). The consumed power can vary depending on actual temperature conditions.

Specifications are subject to change without notice. In addition, AKELA can customize the laser design to meet different operating parameters. Please contact us for more details.

These components do not comply with the Federal Regulations (21 CFR Subchapter 1) as administered by the Center for Devices and Radiological health. Purchaser acknowledges that his/her products must comply with these regulations before they can be sold to a customer.